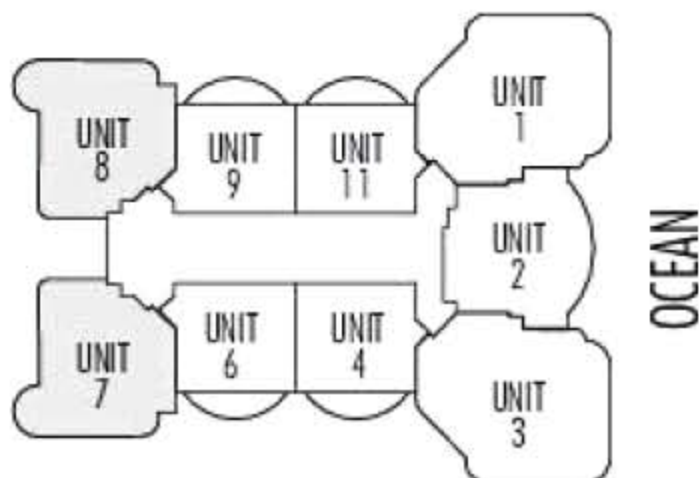
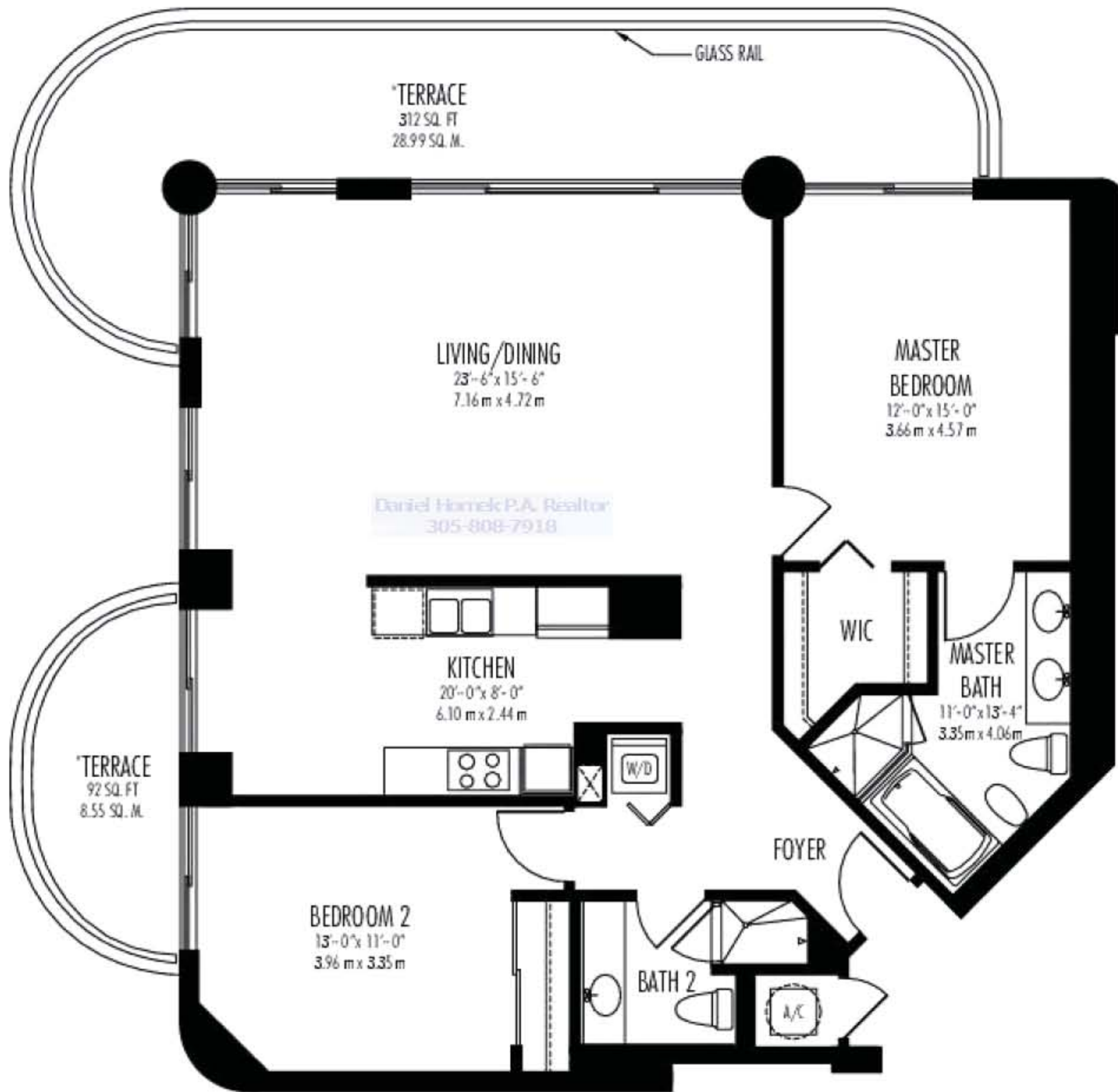


UNITS 7 & 8

TYPICAL FLOORS 8-45

Two Bedroom, Two Bath



ENCLOSED AREA: 1,322 Sq. Ft. (122.82 m²)
TERRACE AREA: 404 Sq. Ft. (37.53 m²)
TOTAL AREA: 1,726 Sq. Ft. (160.35 m²)